

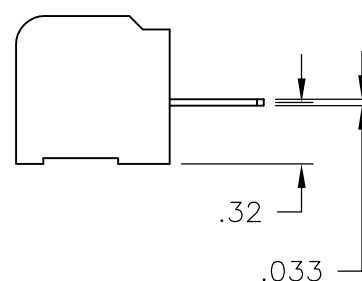
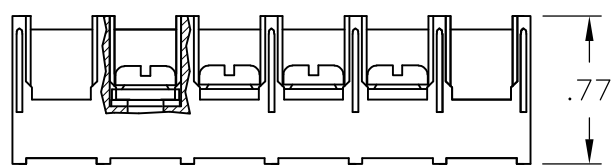
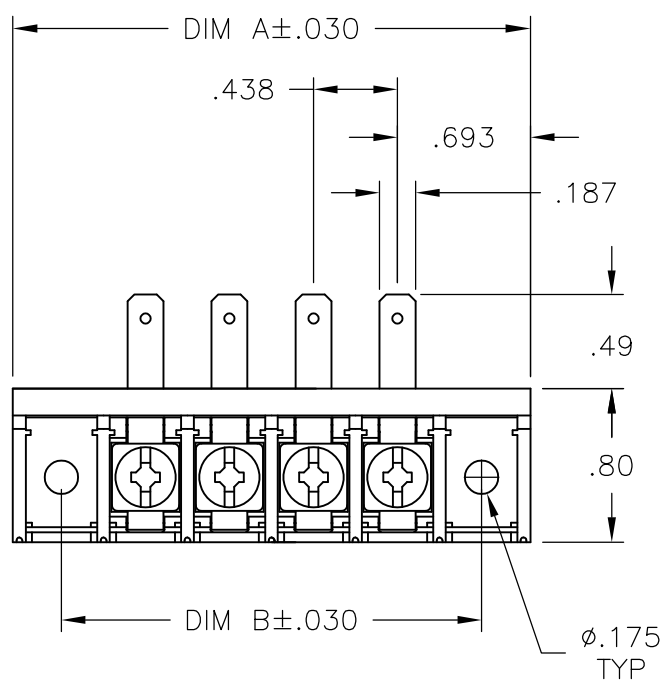
THIS DRAWING IS UNPUBLISHED. RELEASED FOR PUBLICATION  
 © COPYRIGHT BY TYCO ELECTRONICS CORPORATION. ALL RIGHTS RESERVED.

| LOC | DIST | REVISIONS |     |                           |         |     |      |
|-----|------|-----------|-----|---------------------------|---------|-----|------|
| FT  | 0    | P         | LTR | DESCRIPTION               | DATE    | DWN | APVD |
|     |      | E         |     | REVISED PER ECO-10-004812 | 06MAY10 | HMR | CR   |

**MATERIAL:**  
 HOUSING: THERMOPLASTIC, UL94V-0, BLACK.  
 TERMINAL: BRIGHT TIN PLATED COPPER ALLOY.  
 SCREW: 8-32, ZINC PLATED STEEL.

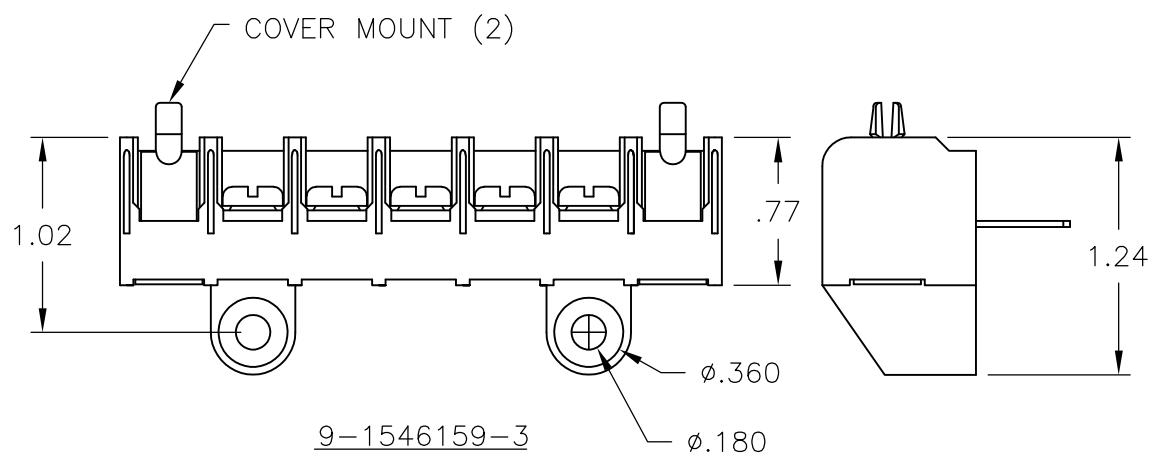
**ELECTRICAL:**  
 CURRENT RATING: 30A  
 VOLTAGE RATING: 600V  
 WIRE RANGE: 10-18 AWG (UL)  
 10-22 AWG (CSA)

**MECHANICAL:**  
 RECOMMENDED TORQUE: 20 IN-LB  
 OPERATING TEMP.: -40°C TO +120°C.



SEE FIGURE

| 8.750 | 8.823 | 18        | 8QCR-18-008    | 1-1546588-8 |
|-------|-------|-----------|----------------|-------------|
| 8.313 | 8.385 | 17        | 8QCR-17-008    | 1-1546588-7 |
| 7.875 | 7.948 | 16        | 8QCR-16-008    | 1-1546588-6 |
| 7.438 | 7.510 | 15        | 8QCR-15-008    | 1-1546588-5 |
| 7.000 | 7.073 | 14        | 8QCR-14-008    | 1-1546588-4 |
| 6.563 | 6.635 | 13        | 8QCR-13-008    | 1-1546588-3 |
| 6.125 | 6.198 | 12        | 8QCR-12-008    | 1-1546588-2 |
| 5.688 | 5.760 | 11        | 8QCR-11-008    | 1-1546588-1 |
| 5.250 | 5.323 | 10        | 8QCR-10-008    | 1-1546588-0 |
| 4.813 | 4.885 | 9         | 8QCR-09-008    | 1546588-9   |
| 4.375 | 4.448 | 8         | 8QCR-08-008    | 1546588-8   |
| 3.938 | 4.010 | 7         | 8QCR-07-008    | 1546588-7   |
| 3.500 | 3.573 | 6         | 8QCR-06-008    | 1546588-6   |
| 3.063 | 3.135 | 5         | 8QCR-05-491    | 9-1546159-3 |
| 2.625 | 3.135 | 5         | 8QCR-05-008    | 1546588-5   |
| 2.188 | 2.698 | 4         | 8QCR-04-008    | 1546588-4   |
| 1.750 | 2.260 | 3         | 8QCR-03-008    | 9-1546159-0 |
| 1.313 | 1.823 | 2         | 8QCR-02-008    | 8-1546159-7 |
| DIM B | DIM A | NO OF POS | CATALOG NUMBER | TE PART NO  |



|   |  |                        |   |           |               |               |
|---|--|------------------------|---|-----------|---------------|---------------|
| THIS DRAWING IS A CONTROLLED DOCUMENT.  |  | DWN S SCHLEGEL 8/18/04 | Tyco Electronics Corporation<br>Harrisburg, PA 17105-3608 |           |               |               |
| DIMENSIONS: INCHES  |  | CHK S YODER 8/18/04    |   |           |               |               |
| TOLERANCES UNLESS OTHERWISE SPECIFIED:  |  | APVD S YODER 8/18/04   | NAME  |           |               |               |
| 0 PLC ± -<br>1 PLC ± -<br>2 PLC ± .02<br>3 PLC ± .010<br>4 PLC ± -<br>ANGLES ± 1° |  | PRODUCT SPEC           | 8QCR-XX-008 ASSEMBLY                                      |           |               |               |
| MATERIAL  |  | APPLICATION SPEC       | SIZE  | CAGE CODE | DRAWING NO    | RESTRICTED TO |
| FINISH  |  | WEIGHT                 | A3  | 00779     | C-8-1546159-7 | -             |
| CUSTOMER DRAWING  |  |                        | SCALE   | SHEET     | REV           |               |
|   |  |                        | 1:1   | 1 OF 1    | E             |               |